

Installation instructions for PZ4AL-01696-00
Under Run Protective Shield Transmission Case

LEXUS GX



TOYOTA LC



Model Year: GX 460 - 2009 - 2013 - LC 150 Diesel - 2009 - 2013 - LC 150 Petrol - 2009 - 2013-

Vehicle Code URJ150L-GKTZKW

KDJ150L-GKAEYW

GRJ150L-GKAEKW

Part Number

PZ4AL-01696-00



Weight

7,43 kg



Installation Time

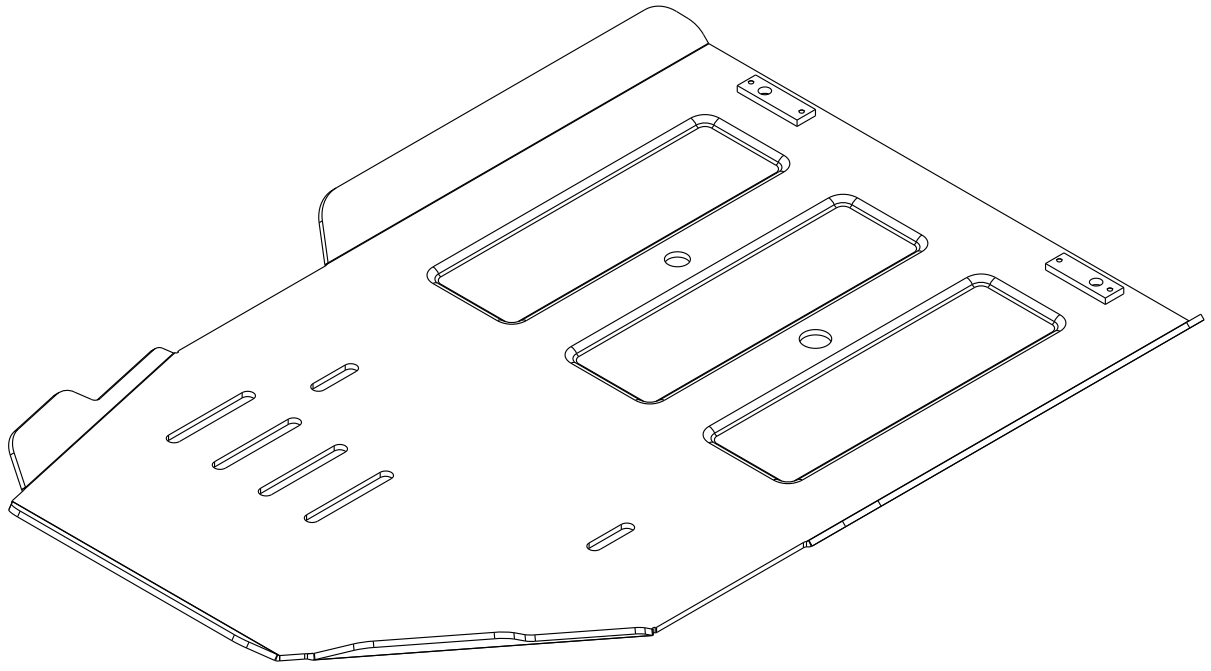
10 min

Manual reference number

AIM 001-930-0

PZ4AL-01696-00

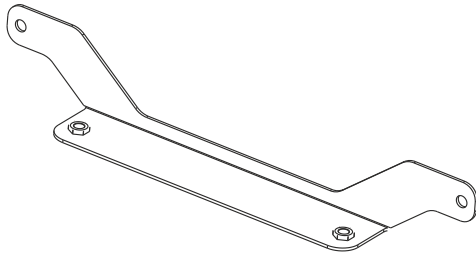
A



1x

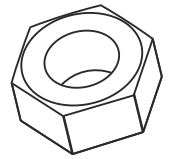
PZ4AL-01696-60

B



1x

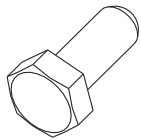
C



M10

2x

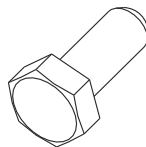
D1



M10x30

4x

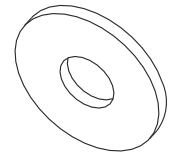
D2



M10x110

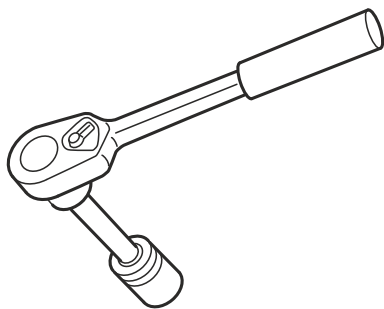
2x

E

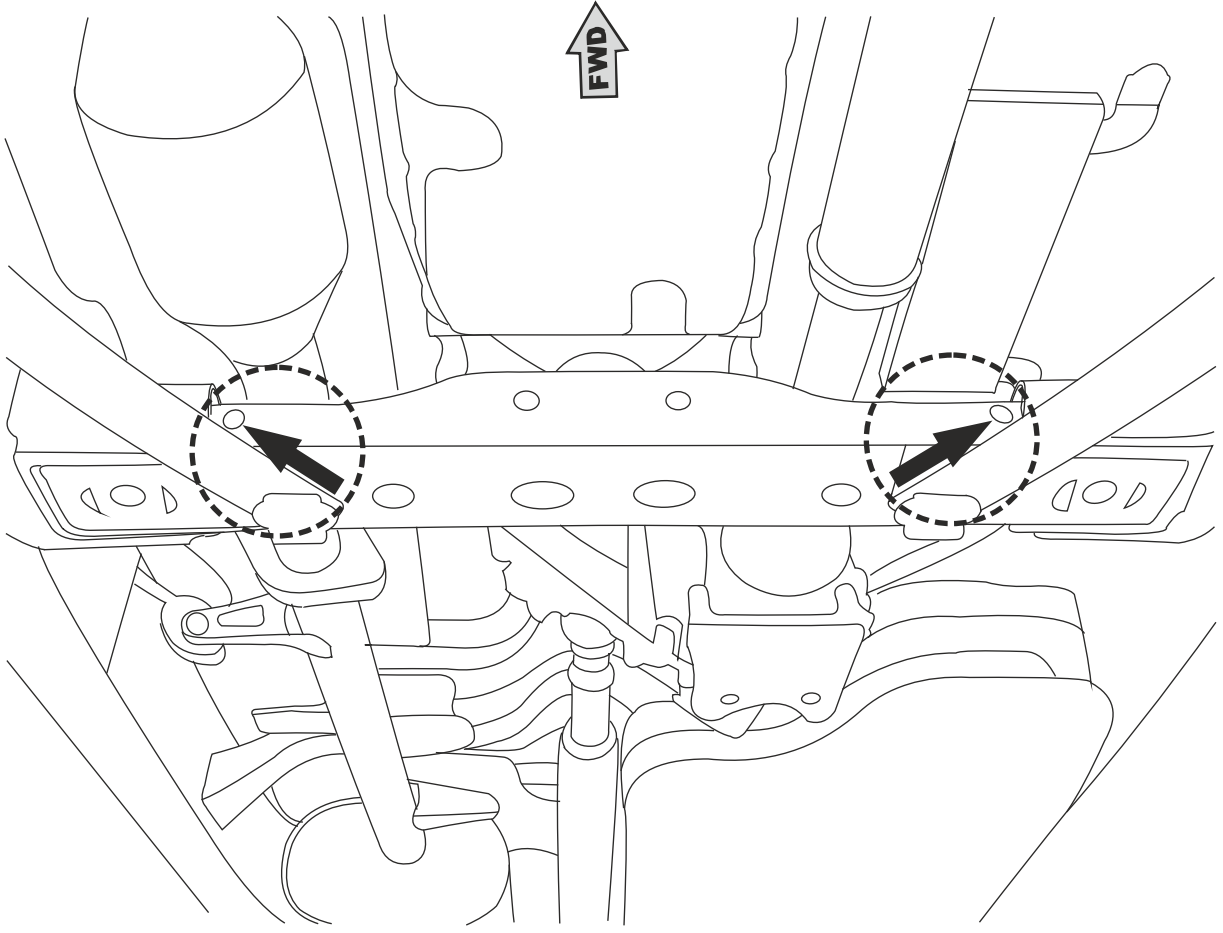


Ø10

8x



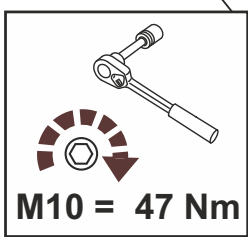
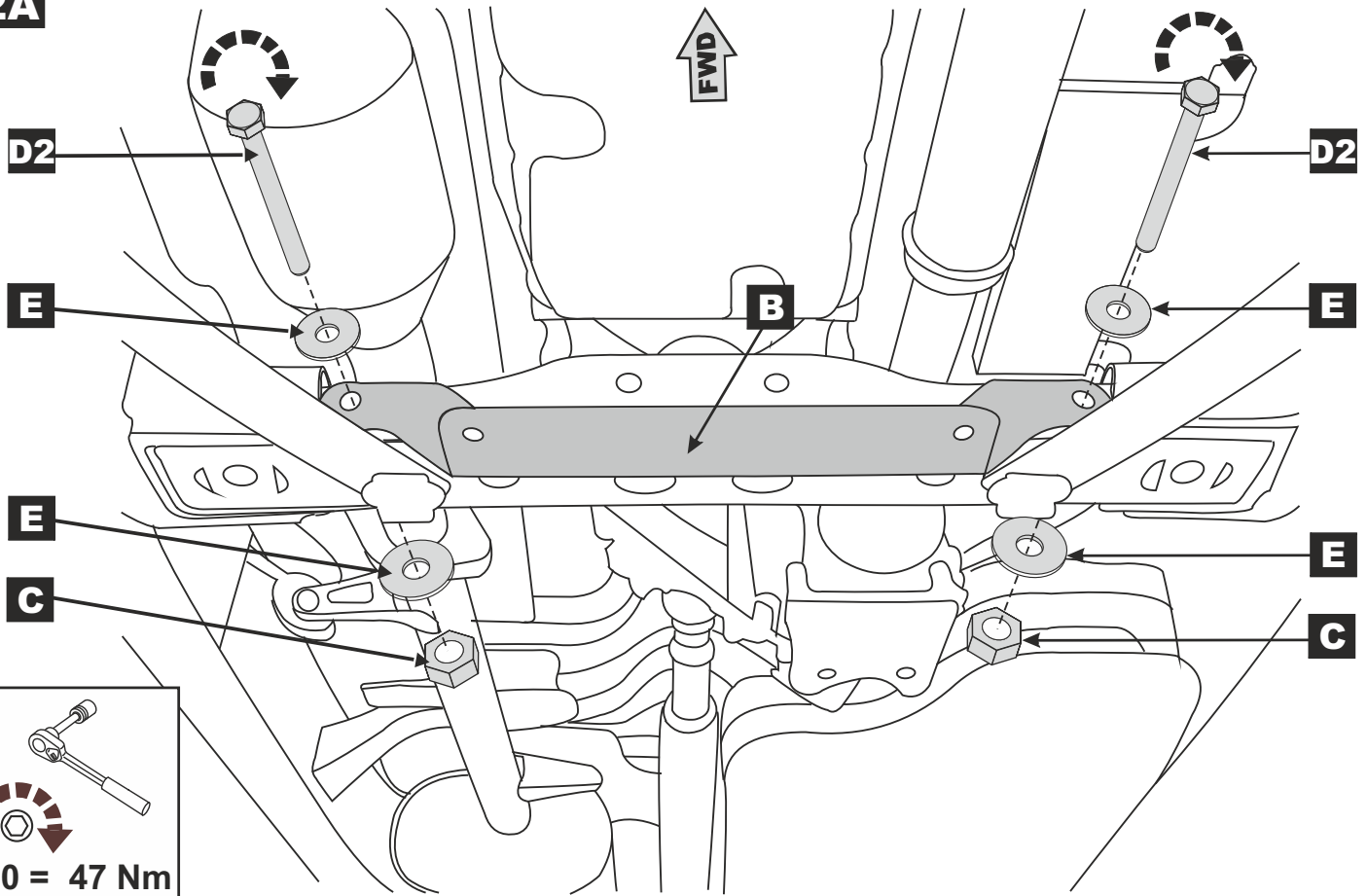
1



2A

LEXUS GX 460

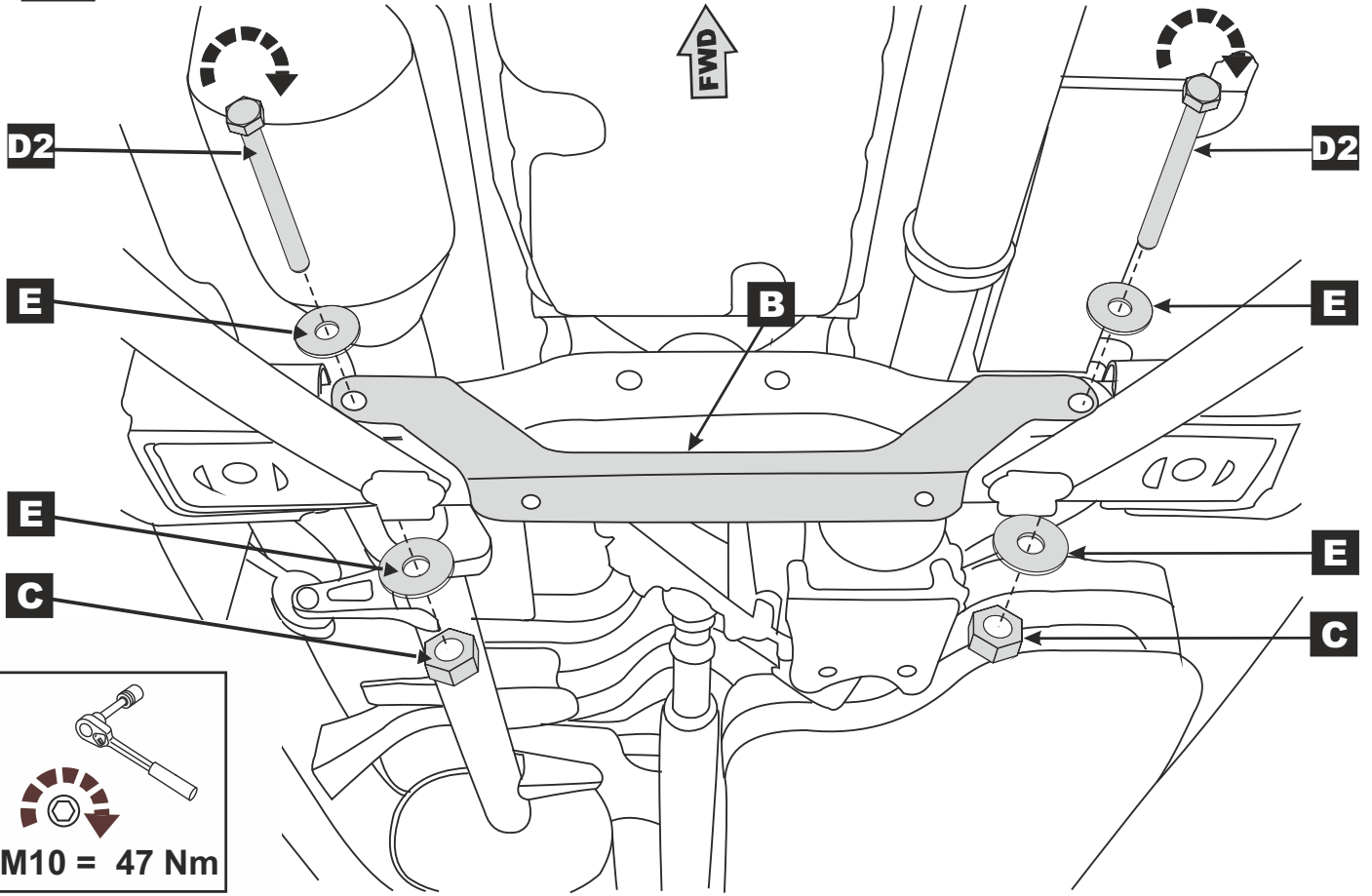
Toyota Land Cruiser 150 Diesel



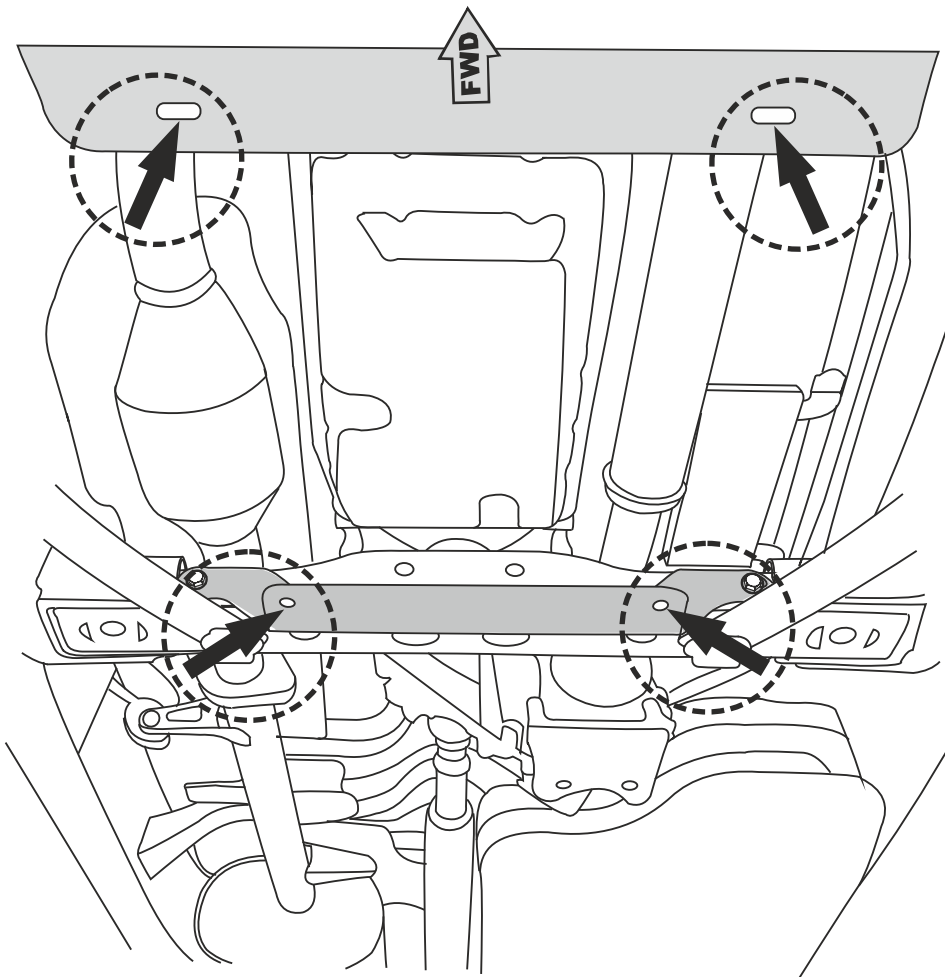
Part number: PZ4AL-01696-00	Issue: 0	Date: 06/11/13	Manual reference number: AIM 001-930-0	Page: 3/5
--------------------------------	-------------	-------------------	---	--------------

2B

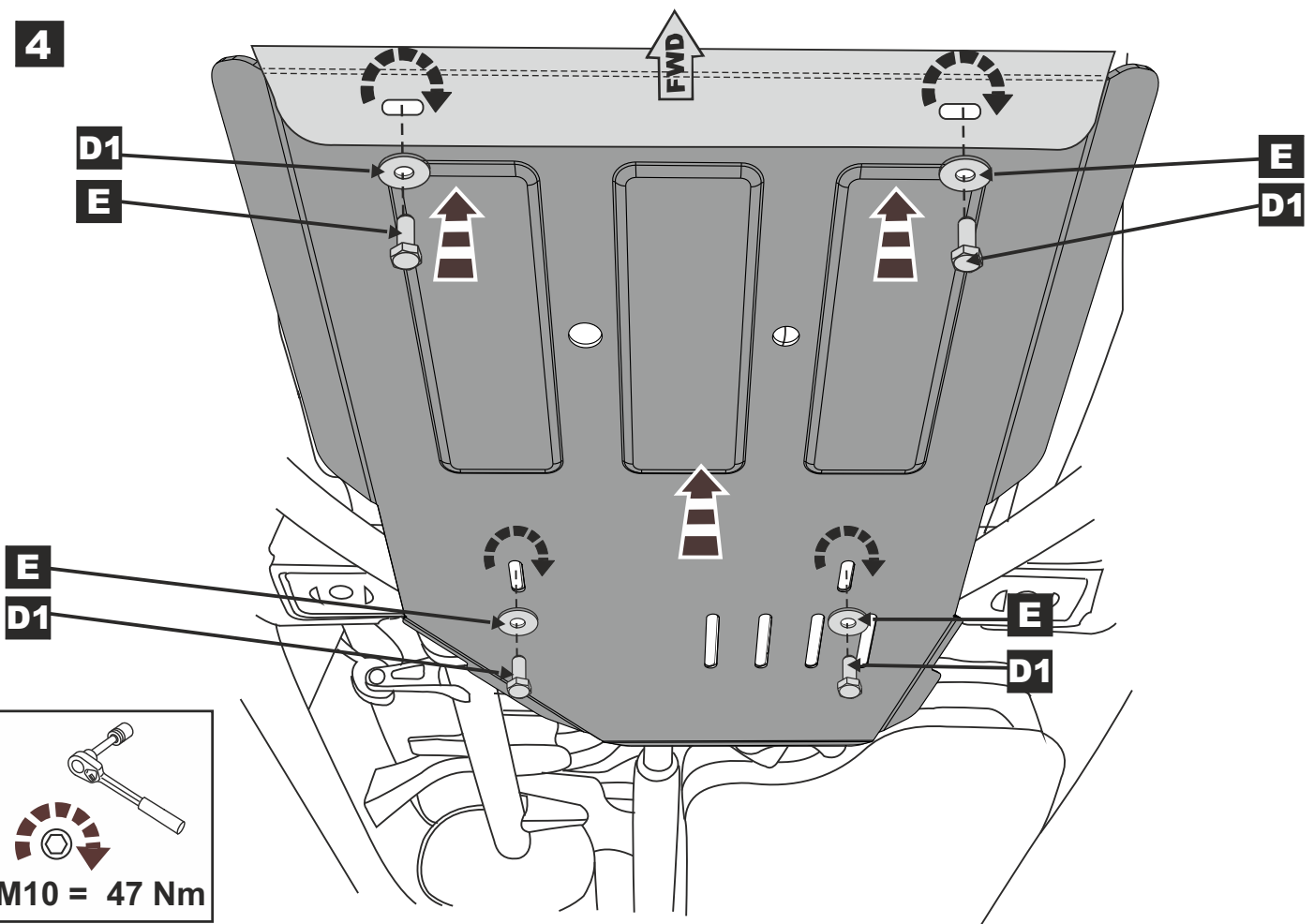
Toyota Land Cruiser 150 Petrol



3



4



5

